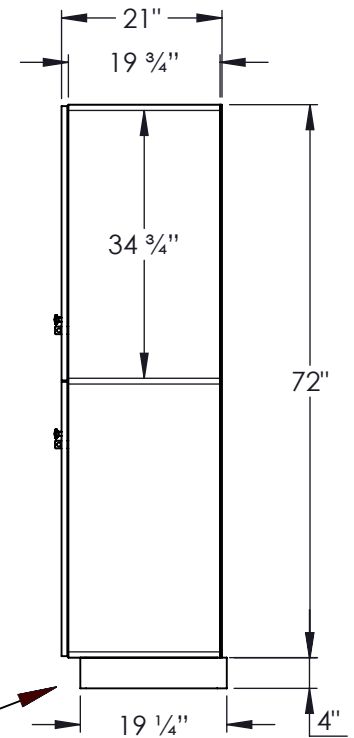


MODEL #18-42161  
 18" WIDE DOUBLE TIER  
 PREMIER WOOD LOCKER – 1 WIDE  
 WITH STANDARD HASPS

(2) LOCKER COMPARTMENTS  
 EACH COMPARTMENT:  
 16-3/4" W x 34-3/4" H x 19-3/4" D

SIDE VIEW



(NOTE: PREMIER LOCKER SHOWN  
 WITHOUT SIDE PANEL OR SLOPING  
 HOOD. PLEASE ORDER SEPERATELY.)

(BASES ARE MADE OF INDUSTRIAL GRADE  
 PARTICLEBOARD AND ARE COVERED IN A  
 DURABLE BLACK LAMINATE. PLEASE SET BASE  
 TO ALLOW 5/8" BETWEEN THE BACK OF THE  
 LOCKER AND THE WALL FOR AIR VENTILATION.)

**MODEL #18-42161**

18" WIDE DOUBLE TIER  
 PREMIER WOOD LOCKER  
 WITH STANDARD HASPS  
 SIX FEET HIGH (ADD 4" FOR BASE)

AVAILABLE FINISHES: ARCTIC WHITE, WINTER FOG,  
 CARBON MESH, SILVER TEAK, RED OAK, SKYLINE WALNUT

DRAWN: 4/2024

18300 CENTRAL AVENUE  
 CARSON, CA 90746-4008  
 PHONE: (800) 562-5377  
 FAX: (800) 562-5399  
 email: [engineering@lockers.com](mailto:engineering@lockers.com)